



## Roomdivider XS Installation Manual



Horrex b.v.  
Van Hennaertweg 27  
2952 CA Alblasterdam  
W: [www.horrex.nl](http://www.horrex.nl)  
E: [info@horrex.nl](mailto:info@horrex.nl)

1

## Contents of the box



1x Magnet counterplate cover



1x Guiding rail



1x Magnet counterplate



1x Positioner



1x Roomdivider XS KIT

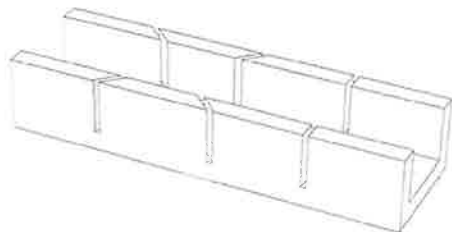


4x Screw type I  
12x Screw type II

2,9x19 Sunkhead  
2,9x19 Panhead

2

## Tools required



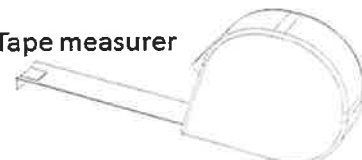
Saw box



Screw driver PZ1

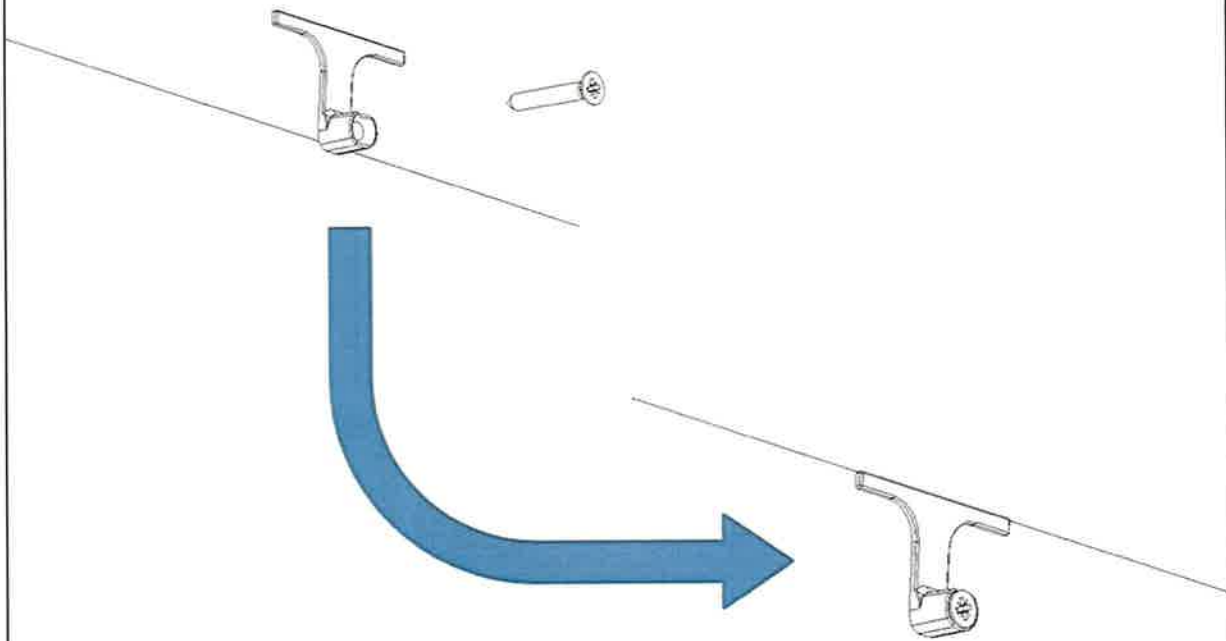


Saw

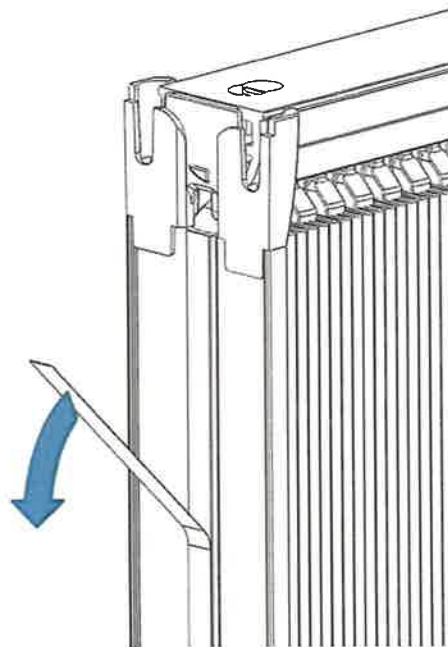


Tape measurer

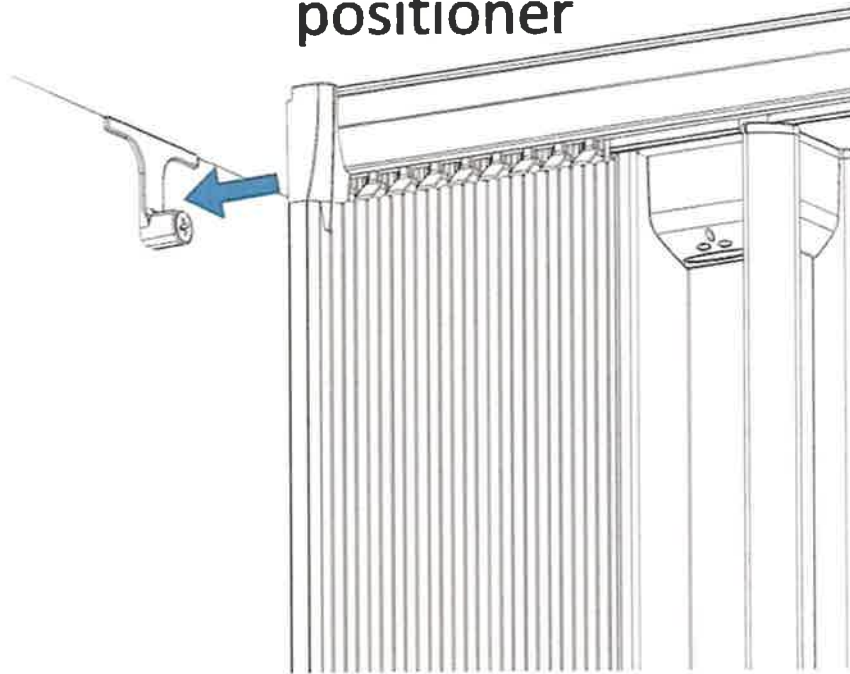
**3 Mount the positioner with screw type I in the corner between the ceiling and the wall**



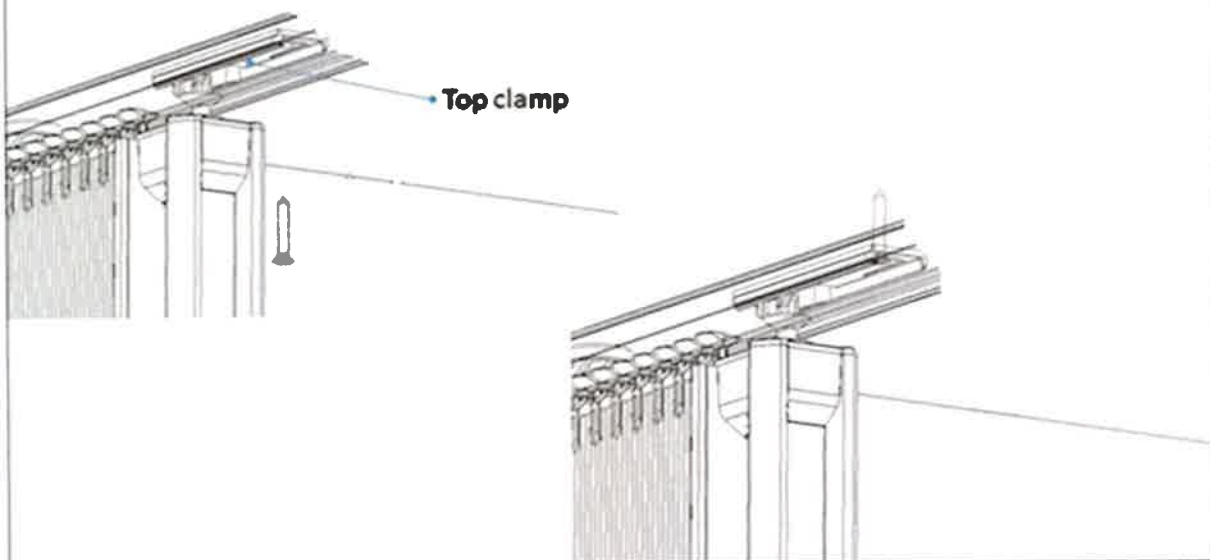
**4 Remove the foil from the tape at the back of the Roomdivider XS**



5 Hang the Roomdivider XS KIT on the positioner

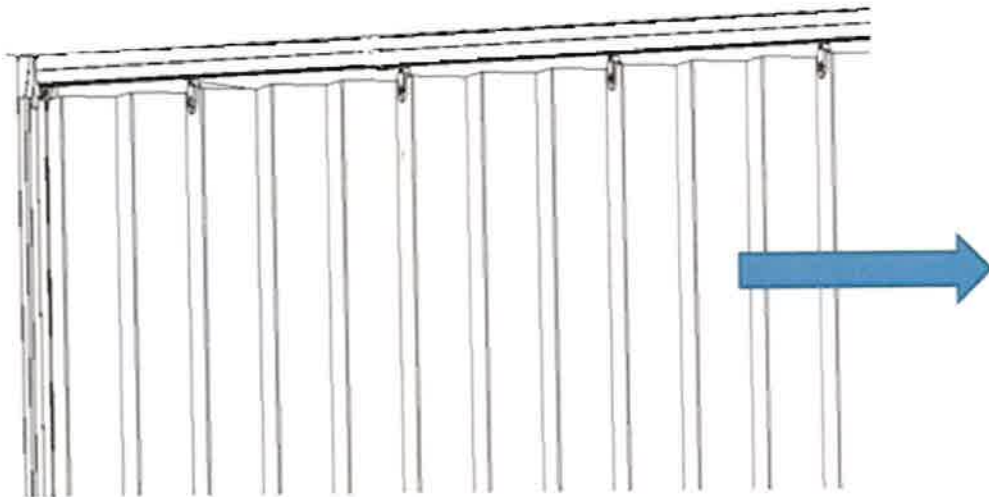


6 Mount the top clamp (1x)



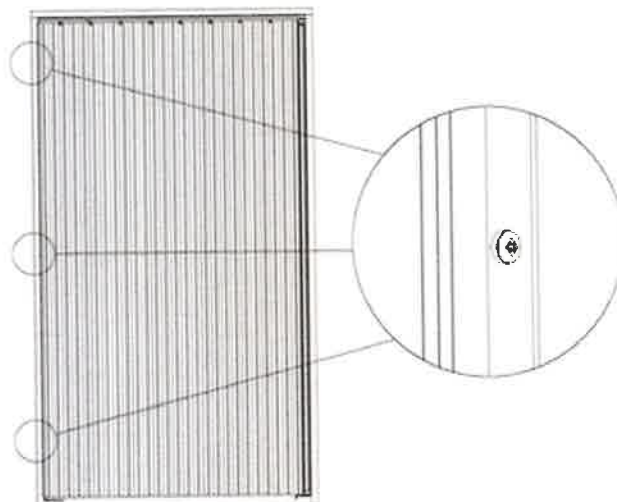
7

Slide the Roomdivider XS Kit open

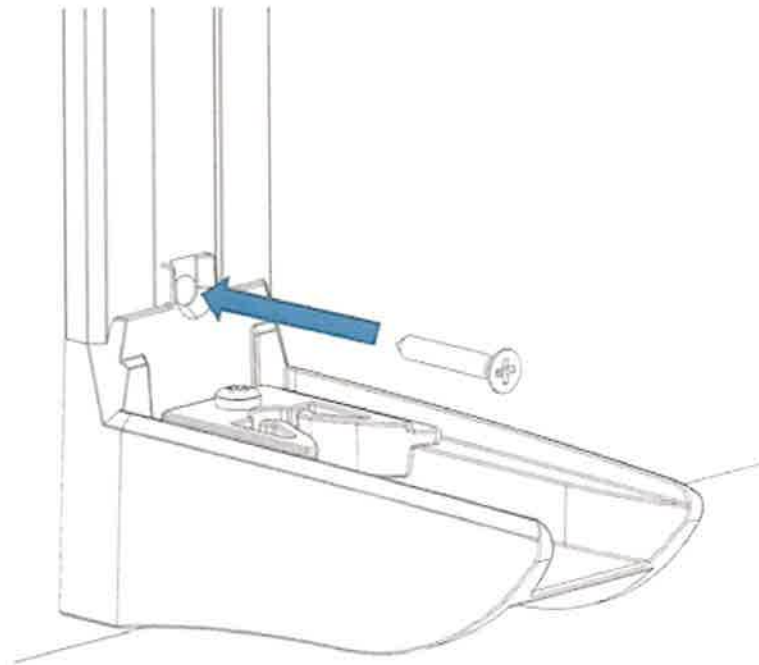


8

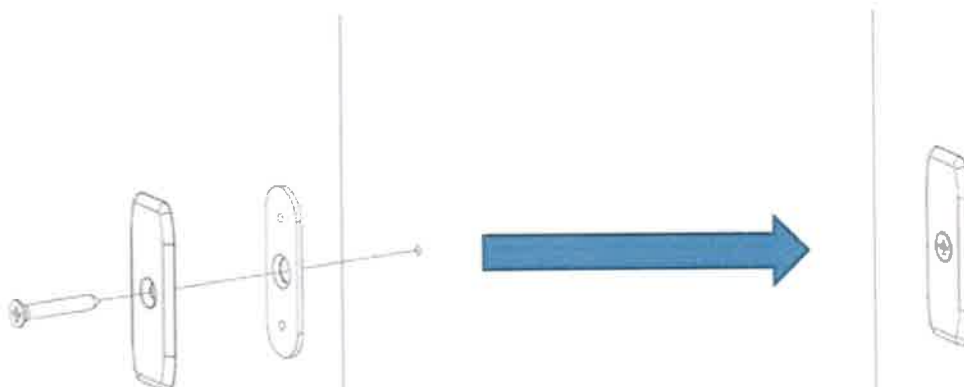
Mount the cassette to the wall with (3x) screw type II. Space them equally



**9** Mount the bottom clamp with screw type I to the wall



**10** Mount the magnet counterplate and cover with screw type I on the wall directly across the magnets in the pullbar



**11**

**Finished!**

